

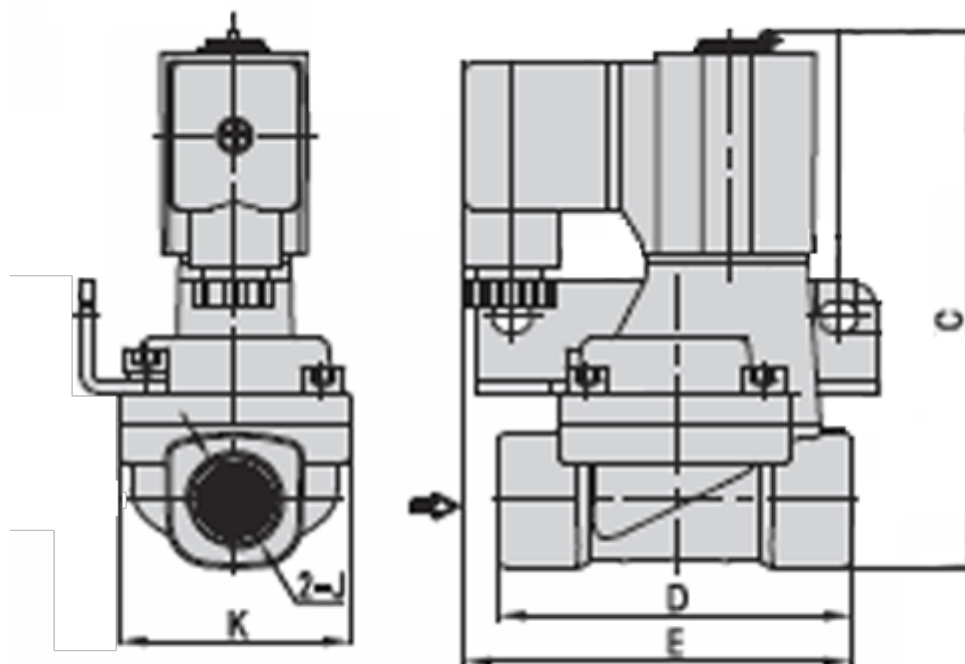
# Data Sheet



Article number: 582S15015AG

Description: Fluid control valve - 2/2 NC, 2S15015AG - 230VAC  
port 1/2" - orifice 15 internally piloted, stainless steel

## Measures



C = 107.0

D = 70

E = 77.0

J = G 1/2"

K = 46